



SGARIA.

Trustable for life



ESM



COMPANY PROFILE



The Sgaria

In addition to the best products, we work objectively and efficiently, with integrity and a sense of urgency to generate the best services.

Check out some of the pillars of our company:

Customer Focus: Our customers are the reason for our existence. We are committed to meeting your demands on site and time required;

Safety: We are strict in meeting our standards, valuing the safety of our customers and contributors;

Quality Results: We seek to maximize results by valuing quality in every detail of our operation;

Teamwork: Together we achieve our goals, acting in a shared way will more easily achieve achievements and good results, sharing achievements and results.

Certificates

By bringing together technical force with design and experience, Sgaria has all the documentation necessary to deliver a certified quality product.





Sgaria Hong Kong

Address:

10 / F, Pilkem Commercial Center, 8
Pilkem Street, Jordan, Kowloon, Hong Kong
VAT CODE: 2288999



Sgaria EUA

Address:

175 SW 7th Street - Unit#1515
Miami - FL 33130
Phone: +1 786 773 4767
VAT CODE: 83-1661307



Sgaria China

Address:

Business Center in Mirae Asset Tower, 166
LujiAzui Ring Road 20Floor
Phone: +852 (3) 6789958
VAT CODE: 91310115MA1K4CN75C



Sgaria Brasil

Address:

VIÓRIA- ES
e-mail: comercial.ind@sgaria.com
Telefone: +55 27 2142-5884
CNPJ: 28.446.398/0001-03



ESM

经济型单端面密封系列

离心泵专用解决方案

The Economically Efficient Single Seal Solution for Centrifugal Pumps



卧式安装
Horizontal

产品特点Key Features

- 旋转式平衡式密封端面
- 模块化设计，通用零部件标准化，便于降低维修成本
- 小弹簧设计，弹簧不与介质接触，机封使用寿命持久
- 驱动螺钉直接定位轴或者轴套上，最大程度减少驱动损失
- 4个螺栓设计，可以适用于ISO 2858标准泵型
- 可用于API 11/21/32号冲洗方案
- Rotating and balanced design.
- Modular design, universal compatible parts, reduced production cost.
- Springs loading protect from liquid, longer seal lifetime.
- Drive screws clamp directly on to shaft or sleeve to minimise drive loss.
- Standard 4 bolts gland designed for ISO 2858 pump.
- Suitable for Plan 11/ 21/32.

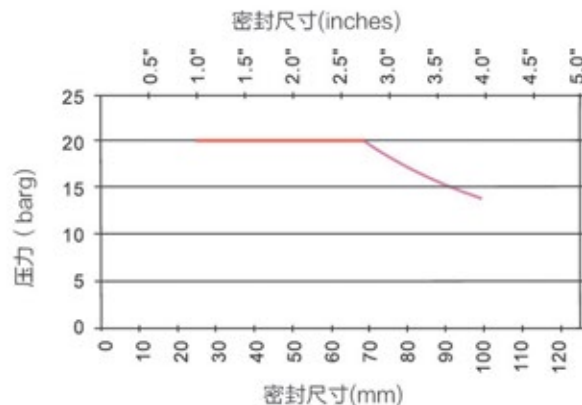
运行参数Operating Conditions

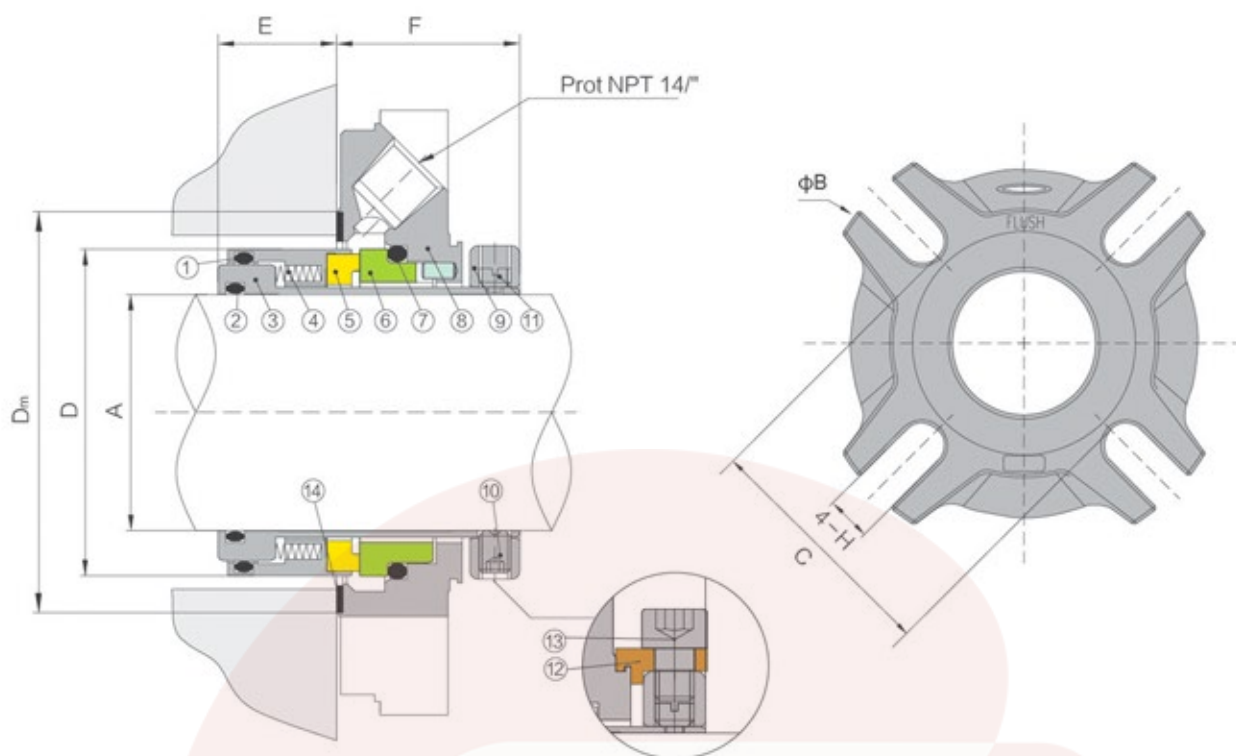
温度/Temperature	-20°C to +180°C [-68°F to +356°F]
压力/Pressure	0~20 Bar
线速度/Speed	Up to 20 m/s
适用介质/Sealing product	各种酸性，碱性，低度浆液，水油等介质 Acid,alkaline, low percentage of pulp, water, oil and other similar media.

材质Material Arrangement

密封环/Seal faces	SSIC/CARBON/TC
橡胶/Rubber	EPR/Viton®/Aflas®/Kalrez®
弹簧/Springs	ALLOY276
金属部件/Metal	316SS/DUPLEX/ALLOY276/904L

压力图Pressure Chart





ESM-各部件信息

NO	描述/Description	材质/Material	NO	描述/Description	材质/Material
1	O型圈/O-Ring	EPR/Viton®/Aflas®/Kalrez®	8	压盖/Gland	316SS 不锈钢/Stainless Steel
2	O型圈/O-Ring	EPR/Viton®/Aflas®/Kalrez®	9	定位环/Clamp Ring	316SS 不锈钢/Stainless Steel
3	轴套/Shaft Sleeve	316SS 不锈钢/Stainless Steel	10	驱动螺钉/Drive Screw	316SS 不锈钢/Stainless Steel
4	弹簧/Spring	Alloy 276	11	定位螺钉 /Anti-tamper Screw	316SS 不锈钢/Stainless Steel
5	动环/Rotary Face	Carbon/SSIC/TC	12	定位块/Setting Clip	铜/Brass
6	静环/Stationary Face	SSIC/TC	13	定位块螺钉/Clip Screw	316SS 不锈钢/Stainless Steel
7	O型圈/O-Ring	EPR/Viton®/Aflas®/Kalrez®	14	垫片/Gasket	非石棉/AF1

ESM-尺寸信息(mm)

∅A	∅B	C	∅D	∅Dm	E	F	H
24	110.0	60.5	38.0	56.0	18.2	37.4	13.2
25	110.0	60.5	39.4	56.0	18.2	37.4	13.2
28	110.0	60.5	42.6	58.0	18.2	37.4	13.2
30	110.0	63.5	44.0	61.5	18.2	37.4	13.2
32	110.0	63.5	46.0	61.5	18.2	37.4	13.2
33	110.0	63.5	47.0	61.5	18.2	37.4	13.2
35	110.0	67.0	49.0	65.0	18.2	37.4	13.2
38	127.0	72.0	55.8	70.0	22.5	35.0	14.2
40	127.0	72.0	55.8	70.0	22.5	35.0	14.2
43	127.0	72.0	59.0	71.0	22.5	35.0	14.2
45	133.0	77.0	62.2	75.0	22.5	35.0	14.2
48	133.0	77.0	65.4	75.0	22.5	35.0	14.2
50	133.0	77.0	65.4	75.0	22.5	35.0	14.2
53	139.0	86.0	68.5	83.0	24.4	35.5	14.2
55	146.0	94.0	71.7	92.0	24.4	35.5	17.5
58	146.0	94.0	74.9	92.0	24.4	35.5	17.5
60	155.0	100.0	78.1	92.0	24.4	35.5	17.5
63	178.0	109.5	84.1	108.0	23.2	37.8	17.5
65	178.0	109.5	87.3	108.0	23.2	37.8	17.5
70	178.0	109.5	90.5	108.0	23.2	37.8	17.5
75	190.5	125.0	96.8	124.0	23.2	37.8	17.5
80	190.5	125.0	100.0	124.0	23.2	37.8	17.5
85	203.0	135.0	106.4	133.0	23.2	37.8	17.5
90	216.0	150.0	112.7	146.0	23.2	37.8	20.0
95	216.0	150.0	119.1	146.0	23.2	37.8	20.0
100	229.0	168.0	122.2	165.0	23.2	37.8	20.0

ESM-尺寸信息 (Inches)

∅A	∅B	C	∅D	∅Dm	E	F	H
1.000	4.125	2.375	1.550	2.205	0.716	1.472	0.520
1.125	4.250	2.375	1.675	2.283	0.716	1.472	0.520
1.250	4.375	2.500	1.810	2.421	0.716	1.472	0.520
1.375	4.375	2.625	1.928	2.559	0.716	1.472	0.520
1.500	5.000	2.832	2.198	2.756	0.885	1.378	0.559
1.625	5.000	2.832	2.323	2.795	0.885	1.378	0.559
1.750	5.250	3.022	2.448	2.953	0.885	1.378	0.559
1.875	5.250	3.022	2.573	2.953	0.885	1.378	0.559
2.000	5.500	3.386	2.698	3.268	0.960	1.397	0.559
2.125	5.750	3.687	2.823	3.622	0.960	1.397	0.689
2.250	5.750	3.687	2.948	3.622	0.960	1.397	0.689
2.375	6.000	3.937	3.073	3.622	0.960	1.397	0.689
2.500	7.000	4.312	3.312	4.252	0.913	1.488	0.689
2.625	7.000	4.312	3.437	4.252	0.913	1.488	0.689
2.750	7.000	4.312	3.562	4.252	0.913	1.488	0.689
2.875	7.500	4.937	3.687	4.764	0.913	1.488	0.689
3.000	7.500	4.937	3.812	4.882	0.913	1.488	0.689
3.125	7.500	4.937	3.937	4.882	0.913	1.488	0.689
3.250	8.000	5.312	4.062	5.118	0.913	1.488	0.689
3.375	8.000	5.312	4.187	5.236	0.913	1.488	0.689
3.500	8.000	5.312	4.312	5.236	0.913	1.488	0.689
3.625	8.500	5.900	4.437	5.748	0.913	1.488	0.787
3.750	8.500	5.900	4.562	5.748	0.913	1.488	0.787
3.875	8.500	5.900	4.687	5.748	0.913	1.488	0.787
4.000	9.000	6.600	4.812	6.496	0.913	1.488	0.787



SGARIA.

Trustable for life

/SGARIAGROUP

