



CATALOG

**CATALOG
SGARIA
AIR FILTER**

COMPANY PROFILE

THE SGARIA

In addition to the best products, we work objectively and efficiently, with integrity and a sense of urgency to produce the best services.

Check out some of the pillars of our company:

Customer Focus: Our customers are the reason for our existence. We are committed to satisfy your demands on the right place and in the right time

Safety: We are strict in meeting our standards, valuing the safety of our customers and contributors;

Quality: We seek to maximize our results by valuing quality in every detail of our operation;

Teamwork: Together we complete our goals, acting in a shared way we reach more easily the achievements and better results, sharing accomplishments and success.



CERTIFICATES

By gathering technical strength with design and experience, Sgaria has all the documentation required to deliver you a certified product.





Sgaria Brasil

Address: Avenida Juscelino Kubitschek, 206 Galpão,
Piumhí-MG Cep 37925-000
Telephone: +55 37 3412-0539
CNPJ: 28.446.398/0001-03



Sgaria China

Address: Business Center in Mirae Asset Tower,
166 LujiAzui Ring Road 20Floor
Phone: +86 (21) 60314584
VAT CODE: 91310115MA1K4CN75C



Sgaria EUA

Address: 175 SW 7th Street –
Unit#1515, Miami – FL 33130
Phone: +1 786 773 4767
VAT CODE: 83-1661307



Sgaria Hong Kong

Address: 10 / F, Pilkem Commercial Center,
8 Pilkem Street, Jordan, Kowloon, Hong Kong



Customers can choose the following five filters to ensure the required quality of the gas supply system

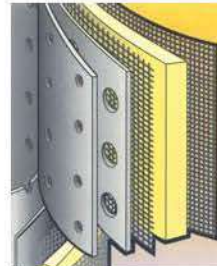
Class- C Main pipe Oil/water filter

Applicable to filter out mass of liquid and condensation product $>3\mu\text{m}$ (5ppm w/w Maximum residual oil content).

Two-stage filtration

Stage 1 Two stainless steel perforated pipe for $10\mu\text{m}$ mechanical separation.

Stage 2 Deep fiber media was filtered to remove $3\mu\text{m}$ of solid and liquid particles.



C

Class-T Main pipe dust filter

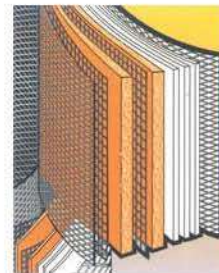
Applicable to filter out liquid water and oil, it can be filtered to remove 1 micron solid particles (1ppm w/w Maximum residual oil content).

* Inside and outside the filter are anti-corrosion

Two-stage filtration

Stage 1 the fibrous media and the filter are alternately laminated to remove larger particles

Stage 2 Multi-layer epoxy resin bonding mixture and fiber medium, coalescence oil mist and filter solid particles.



T

Class-A High efficiency oil removal filter

Suitable for coalescence of small water vapor and oil mist, it can be filtered to remove 0.01 micron solid particles (0.01ppm w/w Maximum residual oil content)

* Inside and outside the filter are anti-corrosion

Two-stage filtration

Stage 1 the fibrous media and the filter are alternately laminated to remove larger particles

Stage 2 Multi-layer epoxy resin bonding mixture and fiber medium, coalescence oil mist and filter solid particles.



A

Class F High efficient oil removal filter

Suitable for coalescence of small water vapor and oil mist, it can be filtered to remove 0.01 micron solid particles (0.001ppm w/w Maximum residual oil content)

* Inside and outside the filter are anti-corrosion

Two-stage filtration

Stage 1 Coating Closed foam sleeve Pre-filtration and air dispersion

Stage 2 the multilayer matrix mixed fiber media for remove Very fine condensation product.

* Outside coating closed foam sleeve



F

Class H Activated carbon oil/water filter

Applicable to filter out the oil vapor and hydrocarbon vapor that the activated carbon can absorb (0.003ppm w/w Maximum residual oil content)

* Inside and outside the filter are anti-corrosion

Two-stage filtration

Stage 1 Extremely fine active carbon powder stabilizing layer, remove Most of the oil steam

Stage 2 Multilayer fiber media, Adhesive micro-fine activated carbon powder, remove Residual oil vapor.

* Multilayer fine media to prevent contaminants from wandering.

* Outside coating closed foam sleeve Prevent fiber wandering.



H

Class035-800 compressed air filter

air filter is hot sales to more than 20 countries, popular use for compressed air system, with high oil,water,dust remove efficiently . can help the user to get the high quality & clean compressed air.



Filter Element——High performance filter medium

1. compressed air filter element is adopted of aeronautic diversion technology, the air inlet is designed to a smooth 90°elbow which can greatly reduce the turbulence and pressure loss.
2. Adding a cone-shaped flow diffuser at the bottom of filter element, flow diffusion increases the filtering area.
3. Adopting bayonet type installation, easy to replace the filter element.
4. Imported high performance glass fiber materials
5. Adopting large inlet connection for 800above filter element, which reduces the resistance of filter element, and easier to install.



Filter shell ——International Advanced Design Concept

1. compressed air filter is composed of three segments, it can be disassembled without tool, easy to replace filter element and clean the built-in drainer.
2. Interior shell is treated with antioxidant preservative treatment, guaranteeing shell's lifetime, avoiding secondary pollution.
3. Precise electronic DP displayer, it good can display differential pressure and working time precisely, remind the user to change the new element.
4. High preference drainer, long lifetime, high efficiency, not easy to plug



Parameter table

- Class C Main pipe oil/water filter 3micron 3ppm
- Class T Main pipe dust filter 1micron 1 ppm
- Class A High efficient oil removal filter 0.01micron 0.01 ppm
- Class F High efficient oil removal filter 0.01micron 0.001 ppm
- Class H Activated carbon oil/water filter 0.01micron 0.003ppm

Model	Capacity m ³ /min	Connection	L × W (mm)	Element		Weight (kg)	Size
				Model	QTY		
Class-35	1.6	RC1"	260×107	Class-35E-03	1	1.4kg	
Class-70	2.6	RC1"	305×107	Class-70E-03	1	1.6kg	
Class-100	3.8	RC1"	365×107	Class-100E-03	1	2.0kg	
Class-200	7.0	RC1½"	555×135	Class-200E-03	1	3.5kg	
Class-300	8.5	RC1½"	635×135	Class-300E-03	1	4.0kg	
Class-350	11.5	RC2"	735×135	Class-350E-03	1	4.5kg	
Class-400	13.5	RC2"	760×170	Class-400E-03	1	7.8kg	
Class-600	17	RC2½"	820×170	Class-600E-03	1	8.2kg	
Class-800	23	RC2½"	1060×170	Class-800E-03	1	9.7kg	

- 1、Five classes for your choose. (C,T,A,F,H)
- 2、Working pressure : 0.2-1.0MPa, We can provide the filter which pressure above 1.0MPa.
- 3、Option: different pressure indicator.

Parts information

● Electrical drainer



● Inside drainer



● Auto-drainer



● Different pressure indicator



Class-600-17500 Compressed air filter



Parameter table

Model	Capacity m ³ /min	Connection	L × W (mm)	Element		Weight (kg)	Size
				Model	QTY		
Class-600	17	DN65FL	1114×320	Class-600E	1	23	
Class-800	23	DN65FL	1266×230	Class-800E	1	28	
Class-900	27	DN80FL	1143×430	Class-400E	2	79	
Class-1200	34	DN80FL	1143×430	Class-800E	2	85	
Class-1600	45	DN100FL	1320×430	Class-800E	2	115	
Class-2000	55	DN100FL	1189×540	Class-600E	3	128	
Class-2400	65	DN125FL	1438×540	Class-800E	3	135	
Class-3000	87	DN150FL	1485×600	Class-800E	4	155	
Class-4000	110	DN150FL	1415×600	Class-800E	5	158	
Class-4800	130	DN150FL	1445×600	Class-800E	6	170	
Class-5600	160	DN200FL	1555×740	Class-800E	8	245	
Class-7000	210	DN200FL	1630×750	Class-800E	10	270	
Class-8000	260	DN250FL	1610×900	Class-800E	12	320	
Class-10500	320	DN250FL	1830×930	Class-800E	14	450	
Class-12500	360	DN300FL	1750×960	Class-800E	16	420	
Class-14000	410	DN300FL	1670×985	Class-800E	19	435	
Class-17500	510	DN350FL	1991×1140	Class-800E	24	500	

1. Five classes for your choose, (C,T,A,F,H) 2. Working pressure : 0.2-1.0MPa, We can provide the filter which pressure above 1.0MPa.
3. Option: different pressure indicator.

Pressure correction parameter

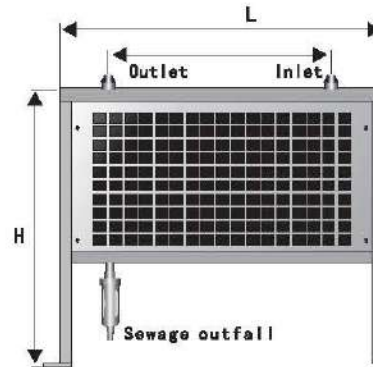
Please choose the right model according to the flow rate and pressure, not by the filter connection

Pressure	1.4	2.1	2.8	4.2	5.6	7.0	8.5	10.6	14.1	17.6	21.1
Coefficient	0.30	0.39	0.48	0.65	0.82	1.00	1.17	1.43	1.87	2.31	2.74

After Cooler

Introduction

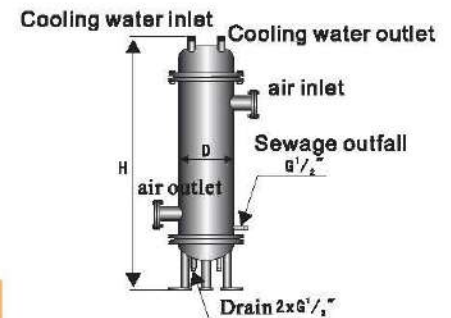
after cooler with high efficiency , small size, no need foundation installation, low running cost and long service life. We have air cooling and water cooling two type cooler, customer can according to the site status such like ambient temperature, RH , compressed air temperature to choose the best one for their compressed air system.



Parameter table

KLF-	1N	2N	3N	6N	10N	12N	15N	20N	25N	30N	40N
Parameter table											
capacity m ³ /min	1.6	2.6	3.8	7	11.5	13.5	17	23	27	34	45
power V/Ph/Hz	220V/1/50						380V/3/50				
Long (mm)	800	650	650	800	1180	1180	1500	1500	1670	1800	1880
Width (mm)	200	200	250	270	270	270	340	340	340	400	400
High (mm)	700	700	700	800	850	1000	1075	1090	1100	1230	1330
Motor Power W	50	110	110	140	220	280	360	360	500	900	900
Inlet and outlet diameter	ZG1"	ZG1"	ZG1"	ZG1 1/2"	ZG2"	ZG2"	DN65	DN65	DN80	DN80	DN100

Working pressure	0.4/1.0MPa
Design pressure	0.6/1.0MPa
Maximum intake air temperature	≤120°C (water cooled) ≤90°C (AIR COOLED)
Outlet temperature	≤42°C
Water inlet temperature	≤32°C
Drain temperature	≤40°C
Maximum ambient temperature	≤40°C (AIR COOLED)



Parameter table

KLW-	1N	2N	3N	6N	8N	10N	12N	15N	20N	25N	30N	40N	50N	60N	80N	100N
Parameter table																
Capacity m ³ /min	1.6	2.6	3.8	7.0	8.5	11.5	13	17	23	27	34	45	55	65	87	110
Tube diameter D (mm)	φ133	φ159	φ159	φ159	φ159	φ159	φ219	φ219	φ273	φ273	φ273	φ325	φ325	φ325	φ377	φ377
H (mm)	1350	1320	1320	1507	1507	1507	1620	1875	1850	1870	1453	1926	1950	2065	2156	2390
Import and export	G1"	G1"	G1"	G1 1/2"	G1 1/2"	G2"	G2"	DN65	DN65	DN80	DN80	DN100	DN100	DN125	DN150	DN150
Cooling water Inlet/outlet	1/2"	3/4"	3/4"	1"	1"	1-1/4"	1-1/4"	1-1/2"	2"	2"	2"	2-1/2"	2-1/2"	3"	3"	4"
Water Consumption (m ³ /h)	0.45	0.96	1.0	2.6	2.63	4.3	5.2	7.3	9.9	11.6	14.6	19.5	23.7	28	37.5	47.5

Oil-water separator

Introduction

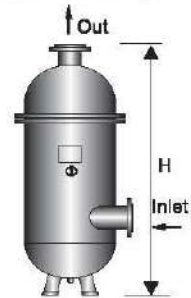
Our company combines domestic and foreign advanced technology research and development the Oil-water separator. Its internal use of direct interception, inertia collision, bronze diffusion and cohesion and other mechanisms Effectively remove the air in the water, oil mist, dust, Internal stainless steel wire can be cleaned. long service life.

Features

- Reasonable design, easy maintenance and repair
- The filter element has a long service life
- Filter pore size: 5µm
- Oil filtering accuracy: 10ppm
- Working pressure :0.2~1 Mpa
- Pressure loss:0.005Mpa
- Operating temperature:5~65°C
- Water Removal rate(liquid):≥99%

Parameter table

KWF-Model	1N	2N	3N	6N	8N	10N	12N	15N	20N	25N	30N	40N	50N	60N	80N	100N	120N	150N	200N	250N	300N	350N	400N	500N
Capacity Nm ³ /min	1.6	2.6	3.8	7	8.5	11.5	13	17	23	27	34	45	55	65	87	110	130	160	210	260	320	360	410	510
HighH(mm)	720	940	1000	1120	1140	1170	1170	1345	1385	1607	1613	1610	1615	1615	1715	1750	1765	1864	1781	2017	2100	2200	2200	2300
diameter φ(mm)	159	159	159	159	159	159	159	159	159	219	219	219	273	273	325	377	377	428	428	600	600	650	650	700
Import and export size	ZG1"	ZG1"	ZG1"	ZG1 1/2"	ZG1 1/2"	ZG2"	ZG2"	DN65	DN65	DN80	DN80	DN100	DN100	DN125	DN150	DN150	DN150	DN200	DN200	DN250	DN250	DN300	DN300	DN350
Weight (kg)	35	40	45	50	55	60	60	75	80	90	105	110	135	140	195	220	225	245	260	380	380	450	380	550



High efficiency oil remover

Introduction

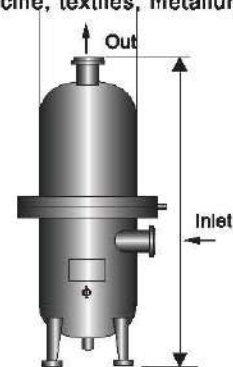
This series based on ultra fine glass fiber as the main filter material, Cyclone separation, pre filter and agglomeration type fine filtration are used for three stage filtration. The oil content can be lower than the precision of the oil-free lubricating air compressor, When matching with oil lubrication compressor. Widely used in pneumatic control, pneumatic instruments, pneumatic components, chemicals, light industry, telecommunications, oil, medicine, textiles, metallurgy, food, rubber and other industries.

Features

- Reasonable design, easy maintenance and repair
- The filter element has a long service life
- Working pressure :0.2~1 Mpa
- Inlet temperature:5~65°C
- Initial pressure drop:0.025Mpa
- Outgassing oil content:0. 1~0. 01ppm

Parameter table

KGY-Model	1N	2N	3N	6N	8N	10N	12N	15N	20N	25N	30N	40N	50N	60N	80N	100N	120N	150N	200N	250N	300N	350N	400N	500N
Capacity Nm ³ /min	1.6	2.6	3.8	7	8.5	11.5	13	17	23	27	34	45	55	65	87	110	130	160	210	260	320	360	410	510
HighH(mm)	740	880	993	1300	1530	1800	1700	1980	1625	1765	2110	2320	2050	2350	2350	2420	2422	2420	2334	2380	2380	2500	2500	2500
Diameter φ(mm)	159	159	159	159	159	159	219	219	325	325	325	325	377	377	377	426	426	550	550	550	550	600	600	600
Import and export size	ZG1"	ZG1"	ZG1"	ZG1 1/2"	ZG1 1/2"	ZG2"	ZG2"	DN65	DN65	DN80	DN80	DN100	DN100	DN125	DN150	DN150	DN150	DN200	DN200	DN250	DN250	DN300	DN300	DN350
Weight (kg)	55	60	85	100	110	115	120	135	155	210	215	236	270	300	315	360	400	410	470	540	550	650	650	750



Sterilization filter

Introduction

PVDF Folding filter element is a new type of air and liquid filter element, the enhanced polyvinylidene fluoride two microporous filter membrane is used as filter medium, Used for precise filtration of air and various solvents.

Features

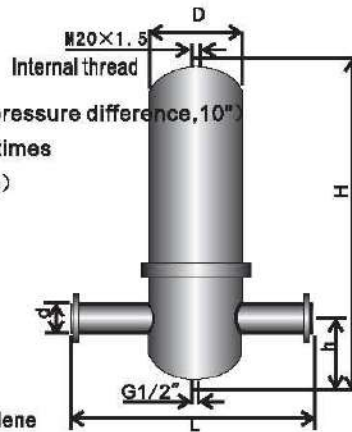
- The enhanced polyvinylidene fluoride two microporous filter membrane is used as filter medium
- Suitable for precise sterilization filtration of air and various solvents
- Wide range of chemical compatibility
- Good temperature resistance, can be repeated steam sterilization
- Filter 100% integrity test

Filtration accuracy

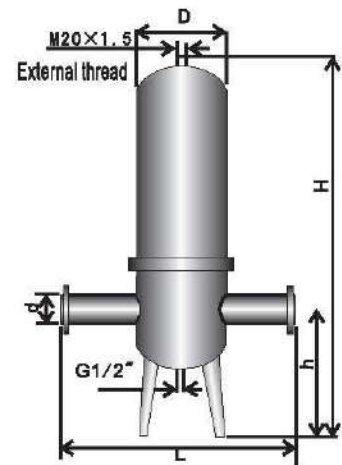
- Filtration accuracy: 0.01µm
- Filtration efficiency:99.9999%
- Flux: $\geq 5\text{Nm}^3/\text{min}$ (0.1MPa pressure, 0.1MPa pressure difference, 10")
- Steam sterilization: $125\pm 2^\circ\text{C}$, 30min/times, 160times
- Pressure: 0.2MPa (Positive pressure difference)
- Initial pressure drop:0.005MPa
- Size: 125mm (5"), 250mm (10"), 500mm (20")
- Diameter:70mm
- Diameter:0.32mm (5"), 0.65mm (10"), 1.3mm (20")
- Filter medium: PVDF membrane
- Inner and outer support layer: Heat-resistant polypropylene
- Overcoat: Heat-resistant polypropylene
- Center post: Stainless steel net cylinder
- End cap: Heat-resistant polypropylene
- Seal ring: Fluorine rubber or silicone rubber

Application

- Aseptic filtration of air in pharmaceutical, biological engineering, brewing and other fields
- Breathing apparatus for a sterile liquid tank
- High temperature liquid filtration
- Sterilization of various solvents filtration



KPF Schematic diagram of filter
Range of use: KPF-0.5, 2.4

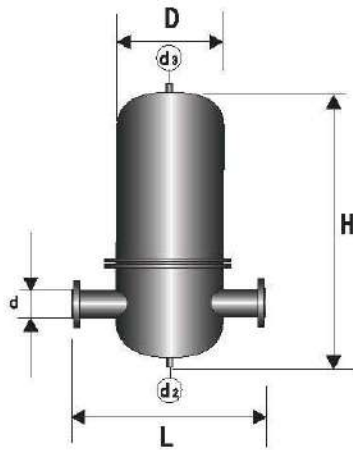


KPF Schematic diagram of filter
Range of use: KPF-5

Parameter table

Model	Capacity m ³ /min	Element QTY	Size (mm)				
			d	L	D	h	H
KPF-05	0.5	5"/1 pcs	DN25 PN1.0	234	Φ114	96	434
KPF-2	2	10"/1, pcs	DN25 PN1.0	234	Φ114	96	549
KPF-4	4	20"/1, pcs	DN25 PN1.0	234	Φ114	96	800
KPF-5	5	10"/3, pcs	DN50 PN1.0	324	Φ184	300	789
KPF-10	10	20"/3, pcs	DN65 PN1.0	324	Φ184	300	1046
KPF-15	15	20"/5, pcs	DN80 PN1.0	415	Φ235	380	1178
KPF-20	20	20"/5, pcs	DN100 PN1.0	415	Φ235	385	1196
KPF-30	30	20"/7, pcs	DN100 PN1.0	475	Φ275	426	1251
KPF-40	40	20"/9, pcs	DN125 PN1.0	505	Φ305	438	1284
KPF-60	60	20"/12 pcs	DN125 PN1.0	555	Φ355	438	1303
KPF-80	80	20"/15 pcs	DN150 PN1.0	606	Φ406	450	1346
KPF-100	100	20"/19 pcs	DN150 PN1.0	656	Φ456	450	1375
KPF-120	120	20"/25 pcs	DN200 PN1.0	706	Φ506	505	1501
KPF-150	150	20"/30 pcs	DN200 PN1.0	756	Φ556	505	1514

Steam filter



KLS-F FILTER

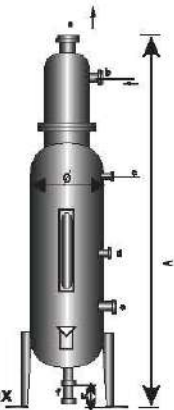
Parameter table

Model	Capacity m ³ /min	Size (mm)				Weight (kg)	Range of use
		D	H	L	d		
KLS-F-035	0.35	φ89	522	199	DN25	6	KPF-05~10型
KLS-F-080	0.8	φ114	530	224		7	KPF-15~40型
KLS-F-1	1.0	φ164	591	284		13	KPF-60~150型

Steam filter

Introduction

It uses the principle of centrifugal separation and gravitational separation, depending on the density of oil and water, the waste oil and water are cut into the gas and liquid separator in the upper part of the box by tangential direction. Sink oil and water into the box by centrifugal action, start gravity separation after a period of rest. Then discharge out of the box periodically. Widely used in collection of waste water and oil discharged from air compressors at all levels of the cooler and other treatment equipment.



Waste oil collection box

Parameter table

Model	Technical parameter				Nozzle dimension							
	Volume M ³	Working pressure MPa	working temperature ℃	Weight kg	Exhaust port a	Waste water inlet b	Overflow c	Oil drain d	Drain e	Outfall f	High A	Diameter φ
KFS-0.3	0.3	<0.3	125	240	D N65	ZG1 1/2"	ZG1 1/2"	ZG1"	ZG1 1/2"	ZG1"	2400	700
KFS-0.5	0.5	<0.3	125	300	D N65	ZG1 1/2"	ZG1 1/2"	ZG1"	ZG1 1/2"	ZG1"	2850	800
KFS-1	1	<0.3	125	400	D N65	ZG1 1/2"	ZG1 1/2"	ZG1"	ZG1 1/2"	ZG1"	3150	1000
KFS-2	2	<0.3	125	550	D N65	ZG1 1/2"	ZG1 1/2"	ZG1"	ZG1 1/2"	ZG1"	3700	1200

KZCL series Self-cleaning dust filter



Introduction

To ensure that expensive air power equipment is protected from dust pollution, less trouble, normal operation, Minimize the number of shutdown times and maintenance workload, Reduce the dust content of the Inhaled air, Avoid dust wear and corrosion inside the equipment, Therefore, air dust filter should be installed at the suction port of air powered mechanical equipment, This series is aimed at such problems.

KZCL series combines the domestic and foreign advanced technology, is the customer's best choice.

Application

(Particularly suitable for place that dust content $>30\text{mg}/\text{m}^3$ and Dust storm area)

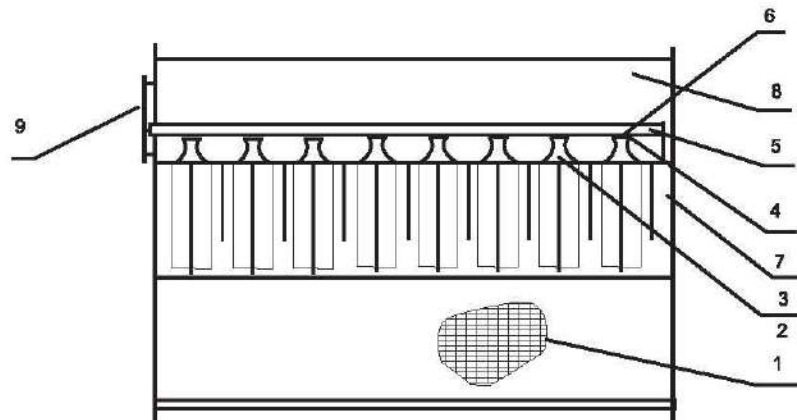
- Air compressor station
- Raw air compressor of Oxygen station
- Blast furnace blower of iron and steel works
- Gas turbine
- Long running diesel engine
- Air conditioner blower for textile industry
- Low dust content central air conditioning system(Computer room, central air conditioning control room, film Industry, pharmaceutical industry, food industry, precision machining, electronic industry, semiconductor, fine chemical industry, etc.)

Features

- Two stage filtration is adopted, High accuracy and low resistance loss, Long service life and low running cost ,It was only original 1/4 cost.
- Primary filter uses frame plate strainer, Prevent rain and snow, dust storm enters High efficiency filter. It can be cleaned and used repeatedly, The effect is obvious and the dust removal efficiency is up to 30%
- High efficiency filter Adopt high precision moisture resistant filter material.
- Reasonable design, no elbow, reduce resistance 20-30pa
- Pulse electromagnetic valve adopts imported equipment, special valve for dust removal, Use up to 1 million times
- The filter element is made of Korean or American paper element. Electrical protection grade IP54 Withstand safe negative pressure -5kpa
- Small flow is Independent of the overall structure, Large flow is modular building block structure, Special Situation, according to customer needs design, Respond To The Needs.

Structure and working principle

- 1 Frame plate strainer
- 2 HEPA filter cartridge
- 3 Venturi
- 4 Pulse valve
- 5 Blowpipe
- 6 Nozzle
- 7 Intelligent allocator
- 8 Clean gas chamber
- 9 Outlet pipe



1、 Self-cleaning Process

Small particles of dust are absorbed onto the HEPA filter cartridge, The intelligent distributor pulse valve self-cleaning and blowback to the HEPA filter cartridge, Blow off the surface dust Complete intelligent self-cleaning.

2、 Remove dust process

The dusty air enters the primary filter, Large particles of dust, Small particles of dust are adsorbed on the surface of the cartridge and cleaned by reverse blow, After accumulating a certain amount of dust, it can be replaced by manual irrigation, The irrigation cycle is about half a year.

3、 Filter process

Inhale dust from the atmosphere, After two-stage filtration, Due to gravity, inertia, diffusion, collision, contact and so on, The dust is absorbed onto the HEPA filter cartridge, Clean air passes through venturi into clean air chamber, Inhaled from the exhaust pipe by pneumatic machinery, Achieve the effect of efficient filtration.

Parameter table

Project	KZCL-																											
	120	160	200	240	300	400	500	600	700	800	1000	1200	1600	2000	2400	2800	3200	3600	4200	4800	5400	6000	6600	7200	8000			
Capacity Nm ³ /min	120	160	200	240	300	400	500	600	700	800	1000	1200	1600	2000	2400	2800	3200	3600	4200	4800	5400	6000	6600	7200	8000			
Structural style	Monolayer														Double-deck													
Filtration accuracy	1um 99.99%																											
Initial resistance	<160Pa																											
Normal operation pressure loss	150~650Pa																											
Blowback pressure	0.4~0.7MPa																											
Reverse gas consumption	≤0.2m ³ /min																											
Power consumption																												
Inlet diameter of blowback	2"																											
Self-cleaning method	Timing, differential pressure, manual																											
Element QTY	6	8	9	12	18	20	25	30	35	40	50	60	84	102	120	144	180	180	210	240	270	300	330	360	400			
Noise	70dBa																											
Size	Long	1620	2280	1680	2100	2100	2580	2580	2850	3300	3750	4650	5550	6450	7800	6900	8250	8500										
	Width	1350	1350	1830	1830	2310	2310	2800	2800	2800	2800	2800	2800	3180	3180	4140	4140	4300	Design by actual size									
	High	2900	2900	2900	3000	3000	3000	3000	3000	3000	3100	3100	3200	3500	3600	4000	4000	4000										

- 1.It is recommended that customers select 1.8-2 times according to the actual air filtration capacity or Consult with engineer
- 2.Installation of anchor screw for leveling cement ground



Email: industria@sgaria.com

Site: www.sgaria.com

Phone: +55 37 3412-0539

WhatsApp: +55 37 3412-0539