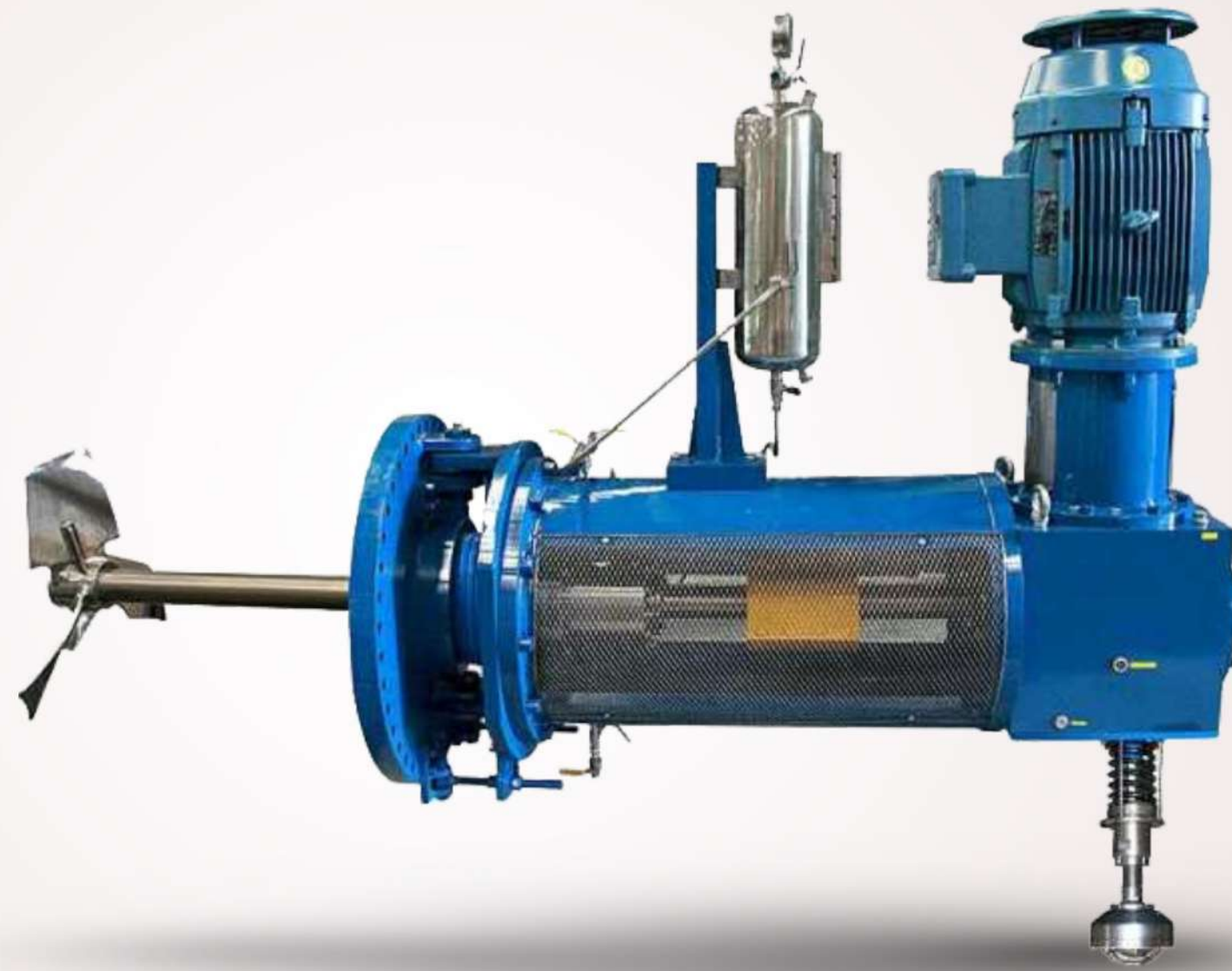




SGARIA.

Trustable for life



Greatwall Mixers



COMPANY PROFILE



The Sgaria

In addition to the best products, we work objectively and efficiently, with integrity and a sense of urgency to generate the best services.

Check out some of the pillars of our company:

Customer Focus: Our customers are the reason for our existence. We are committed to meeting your demands on site and time required;

Safety: We are strict in meeting our standards, valuing the safety of our customers and contributors;

Quality Results: We seek to maximize results by valuing quality in every detail of our operation;

Teamwork: Together we achieve our goals, acting in a shared way will more easily achieve achievements and good results, sharing achievements and results.

Certificates

By bringing together technical force with design and experience, Sgaria has all the documentation necessary to deliver a certified quality product.

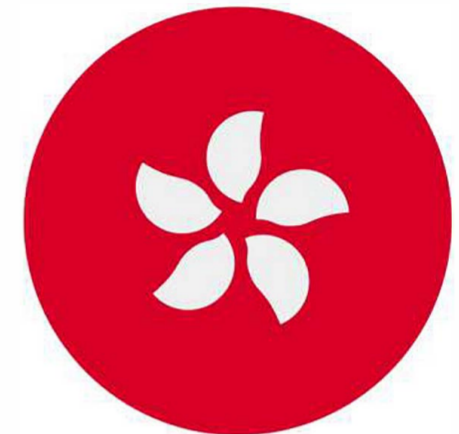




Sgaria Hong Kong

Address:

10 / F, Pilkem Commercial Center, 8
Pilkem Street, Jordan, Kowloon, Hong Kong
VAT CODE: 2288999



Sgaria EUA

Address:

175 SW 7th Street – Unit#1515
Miami – FL 33130
Phone: +1 786 773 4767
VAT CODE: 83-1661307



Sgaria China

Address:

Business Center in Mirae Asset Tower, 166
LujiAzui Ring Road 20Floor
Phone: +852 (3) 6789958
VAT CODE: 91310115MA1K4CN75C



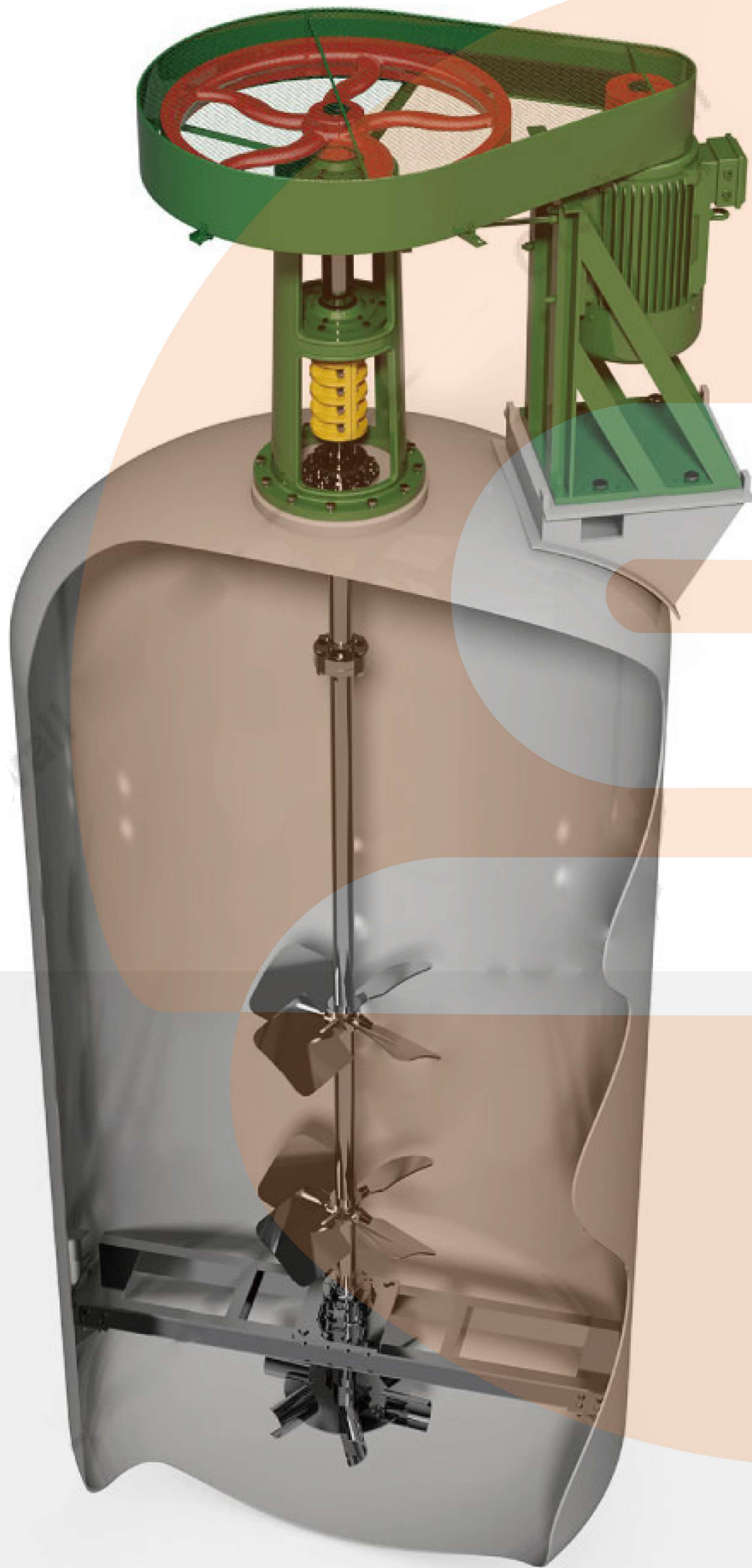
Sgaria Brasil

Address:

VITÓRIA-ES
e-mail: comercial.ind@sgaria.com
Telefone: +55 27 2142-5884
CNPJ: 28.446.398/0001-03



Top-Entry Mixers



Large - power belt mixers



Double - output shaft mixers



Right - angle gear mixers



Co-axial gear mixers



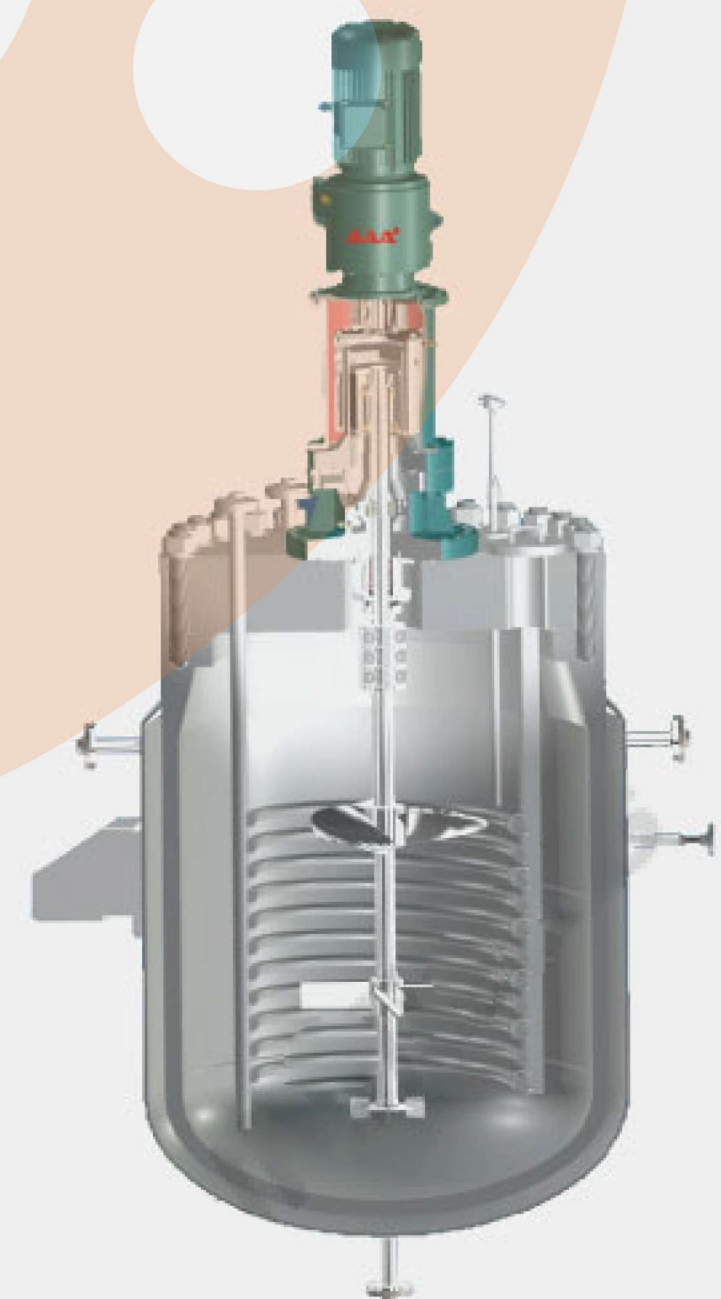
Parallel shaft gear mixers

Magnetic Drive Mixers

MTC series magnetic drive mixers use permanent magnet for the transfer of torque. Different from the moving seal (such as mechanical seal or stuffing box), the static seal solves the leakage problem at last. So it is suitable for industry applications which does not allow any leakage, such as pharmaceutical, chemical, biochemical, pesticide, etc. The MTC drive mixers could be designed for both top and bottom entry type.



Bottom-entry type



Top-entry type



Type gw204H seal



Type 202F seal



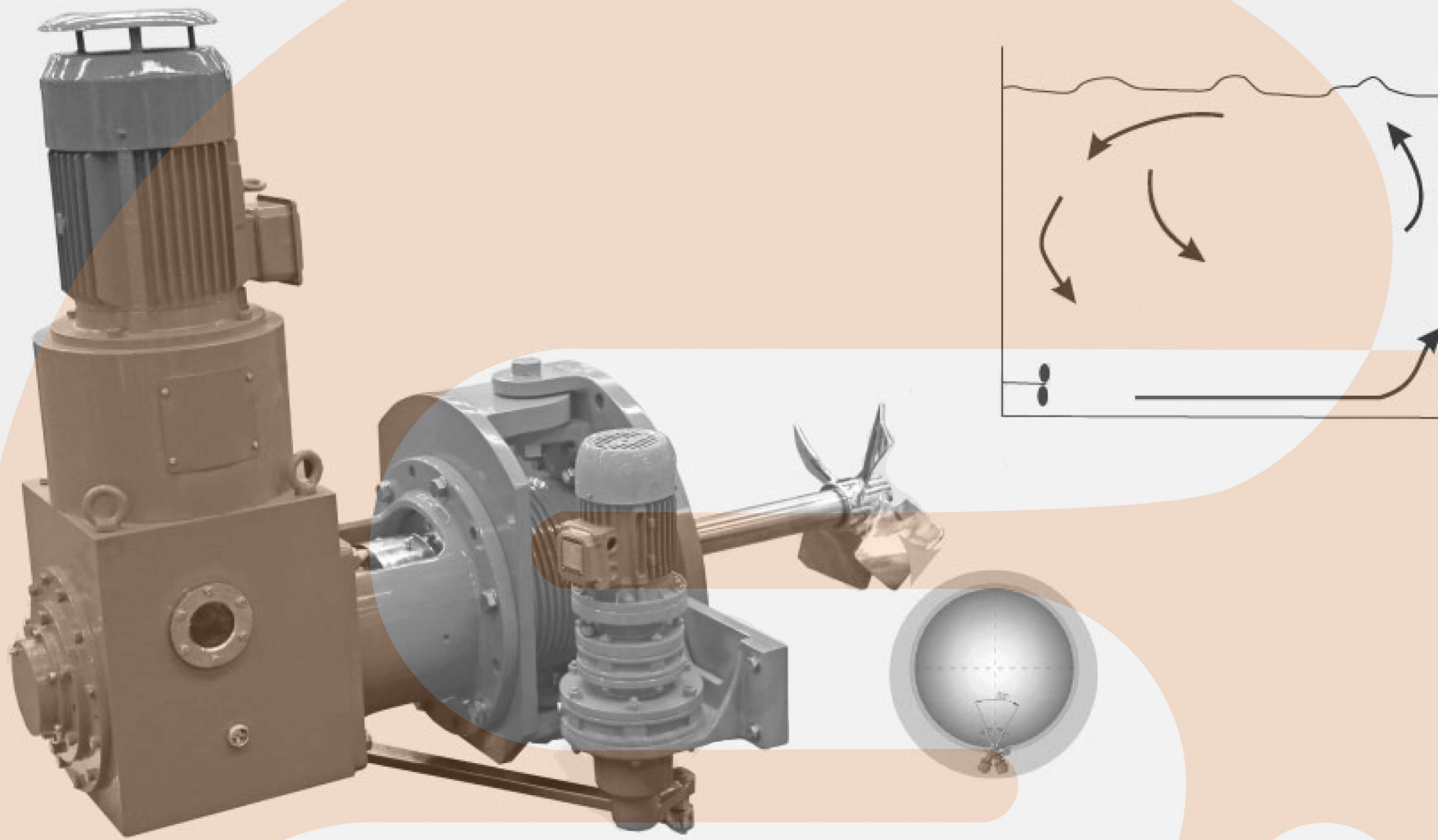
Type T286 seal



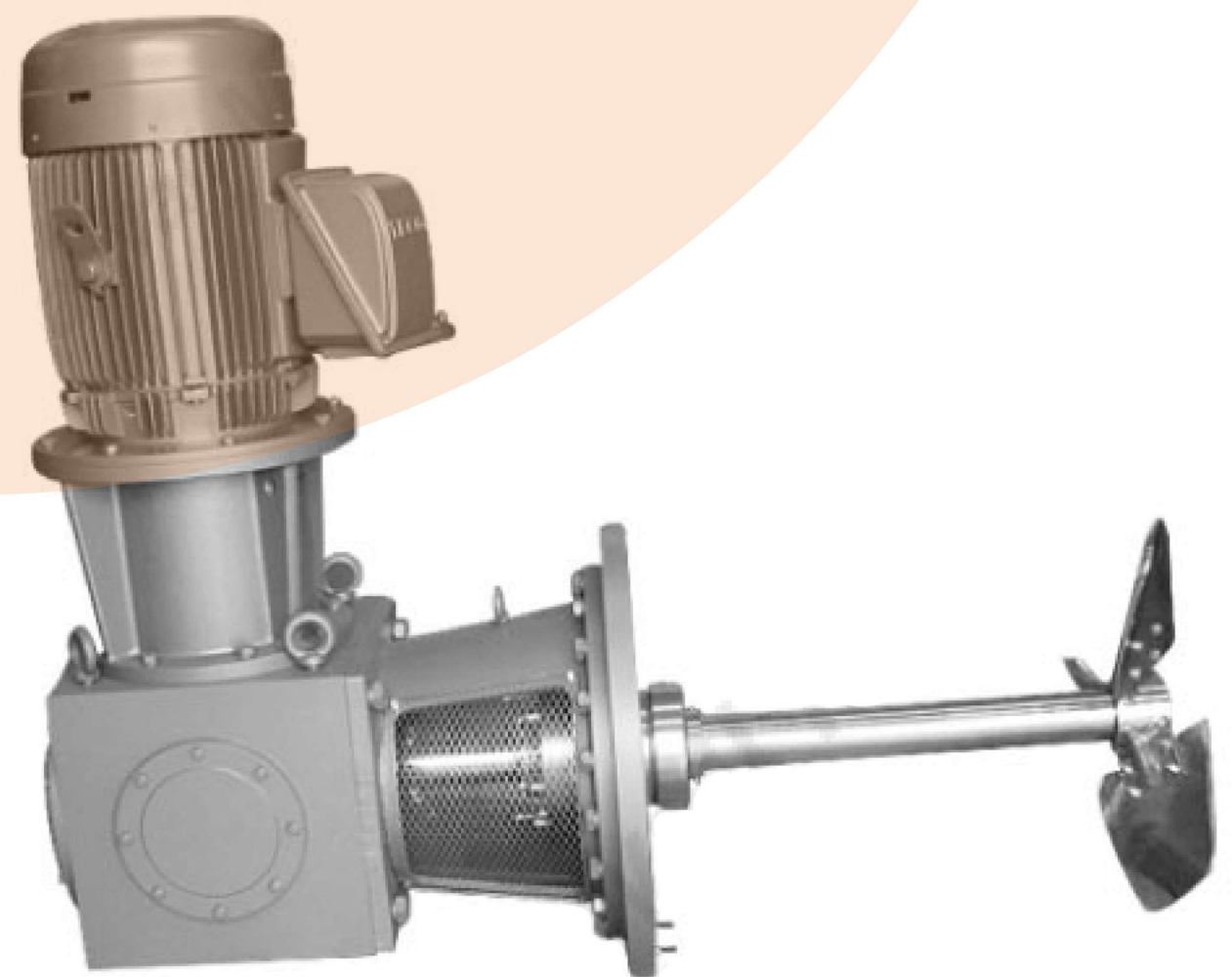
Type 2004 seal

CKJ Swival Angel Side-Entry Mixer

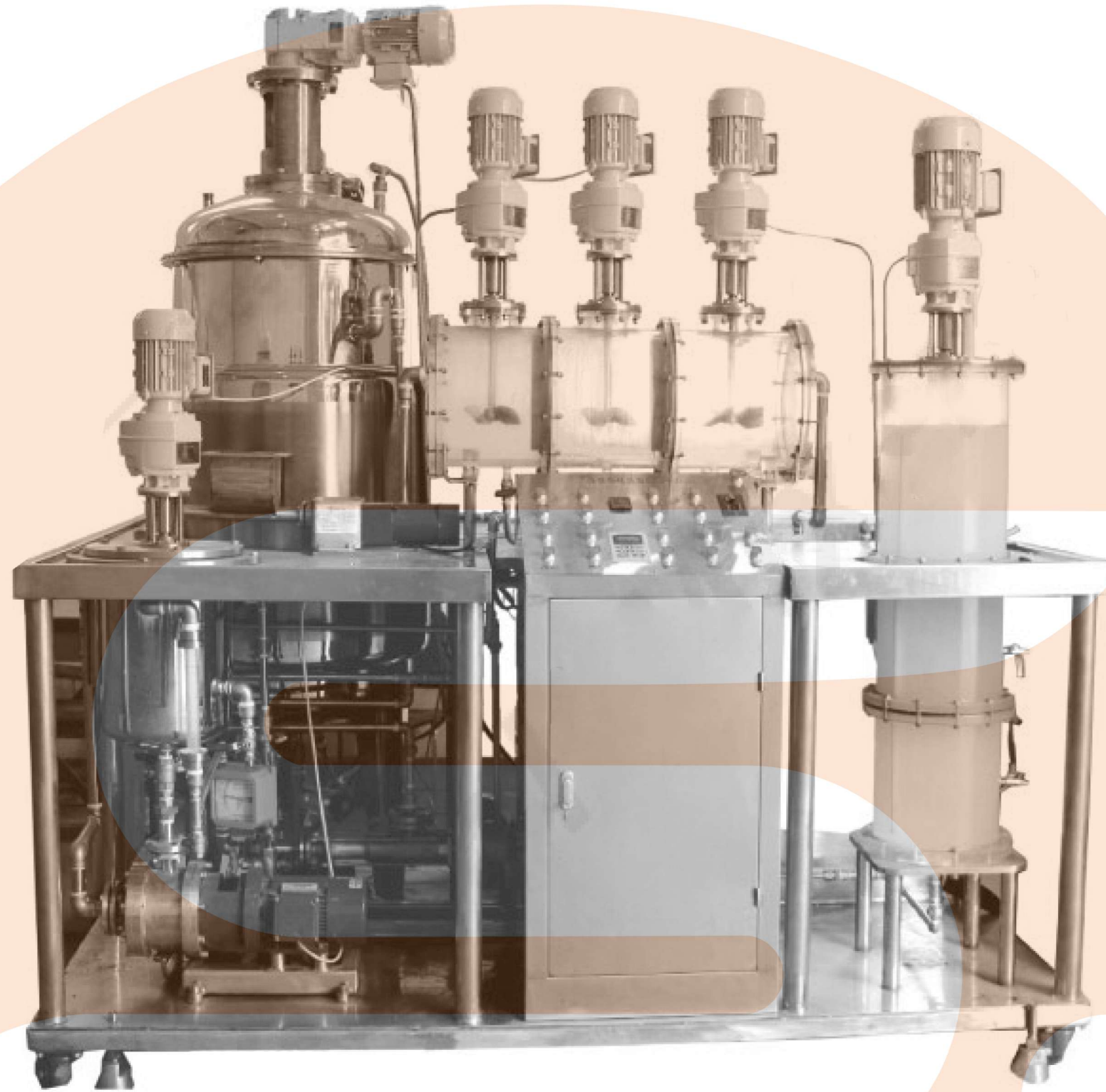
- Minimum maintenance requirements
- Patent pending tank shut-off device



CFJ Side-Entry Mixer

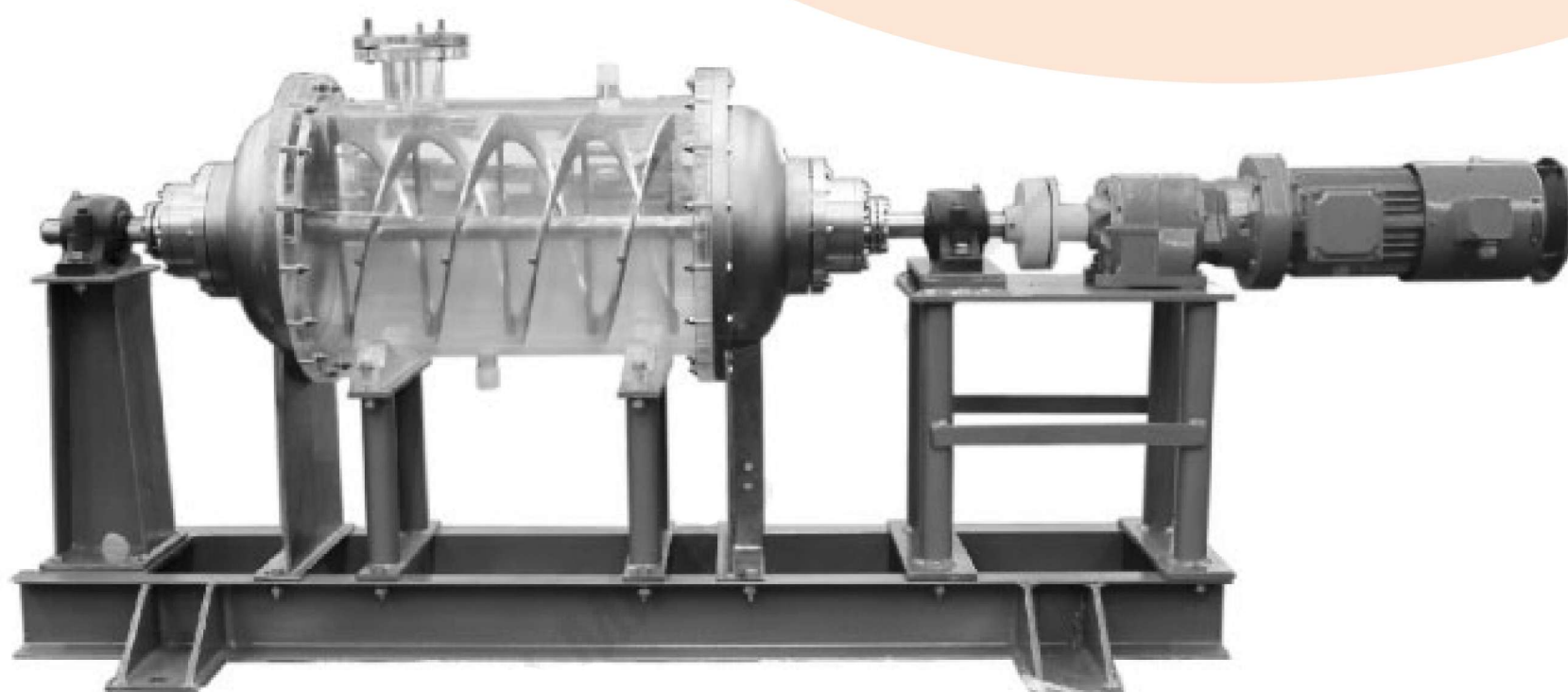


Continuing Polymer Dissolving Test Platform



Lab Series

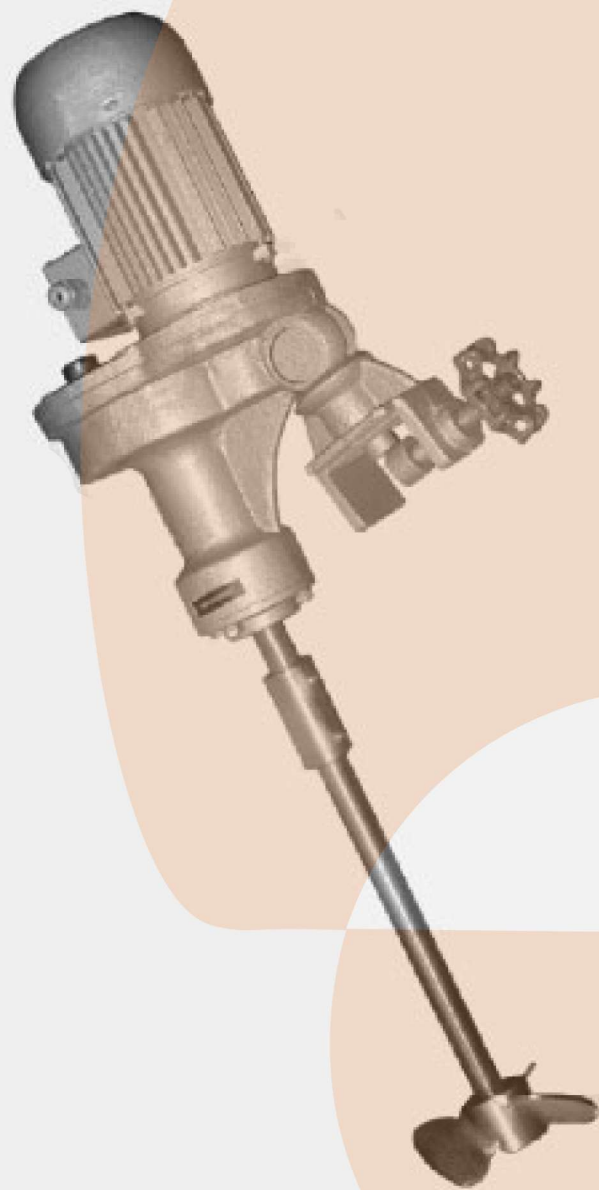
The lab series mixers are widely used for laboratory tests. With acryl glass tank, the mixing effects could be seen clearly. By adding torque meter and other instrument, the impeller power as well as detailed flow field could be measured.



Special Mixers

KJ portable mixer

The KJ portable mixer is one of the widely used mixers of Greatwall. It is specially designed for multi-purpose mixing and easy installation and movement. It possesses a broad range of features and benefits.

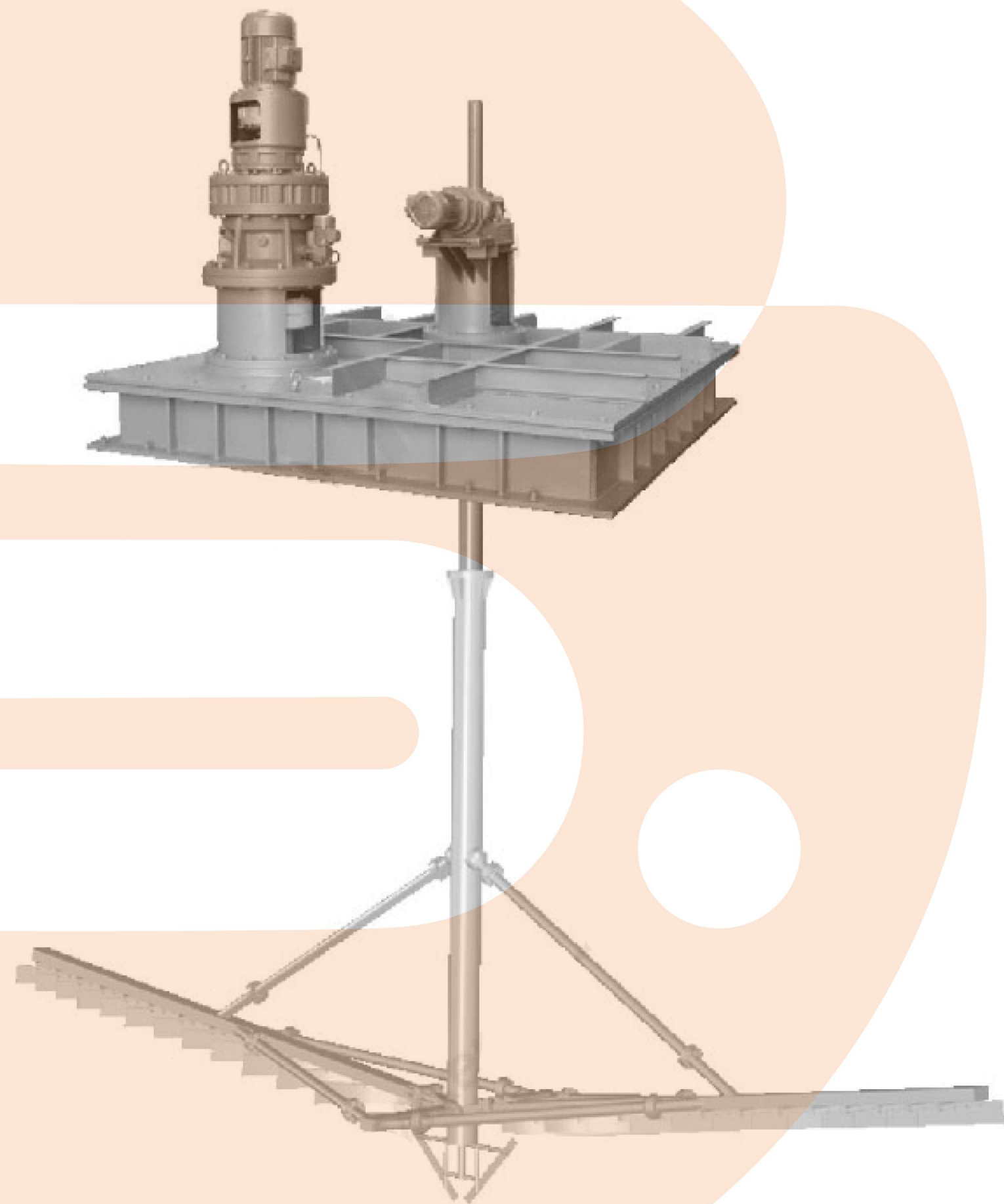


Pipe mixer



Large Mud Scraper or Thickener

The special drive unit for large mud scraper or thickener is widely used in water treatment, mineral and salt industries. It could be specially designed according to your special needs.

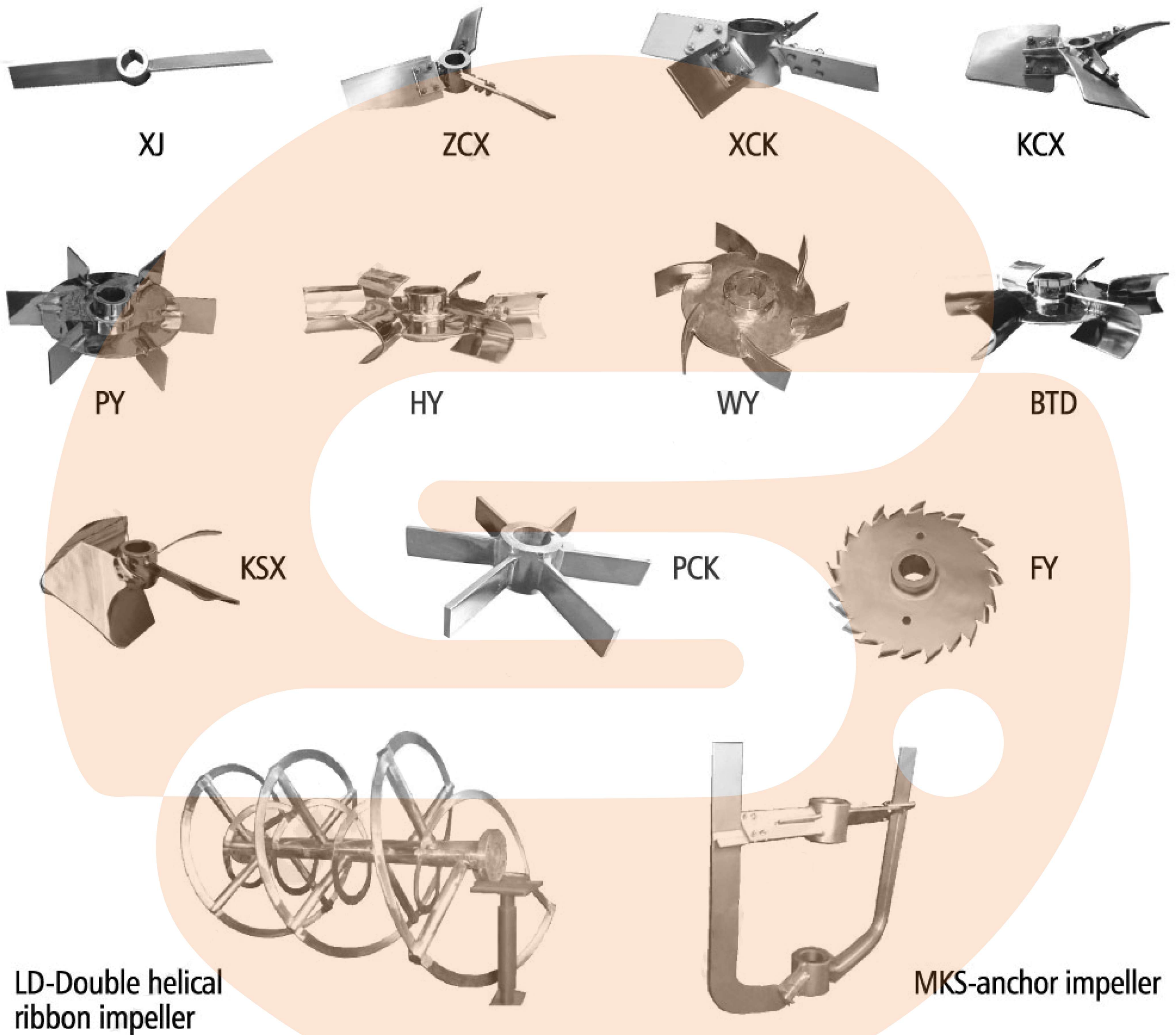


Intermediate steady bearing



Bottom steady bearing

Impellers



Impeller Selection Guide					
Application	Miscible Fluids Blending	Solids Suspension	Gas Dispersion	Immiscible Fluids Blending	High Viscosity Mixing
Impeller types	XJ, XCK, ZCX, KCX	XCK, ZCX, KCX	PY, HY, WY, BTD, KSX	PCK, FY	LD, MKS

Pharmaceutical

biological technology,
fermentation, medicine



Petrochemical

rubber, resin, polyester, lastics,
chemical fiber and oil combinations



Water Treatment

water treating, purified water
treating, industrial water and
sewage treating



APPLICATIONS

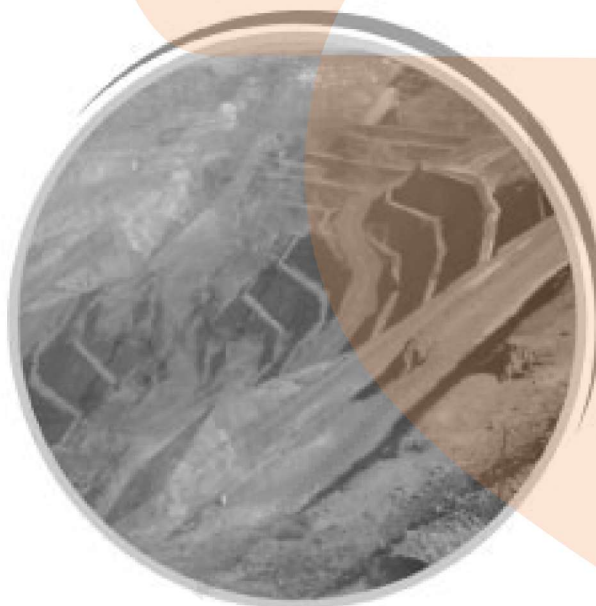
Fine Chemical

chemical reagents, fertilizer, spice,
industrial drug, soap making,
agricultural chemicals, organic and
inorganic chemicals



Food & Beverage

biochemical food, sugar,
fermentation, cooking oil, beverage



Mineral

nonferrous metal,
rare metal, rare earth
element, gypsum



Coating & dyestuff

ink making, paint, coating,
paper manufacture



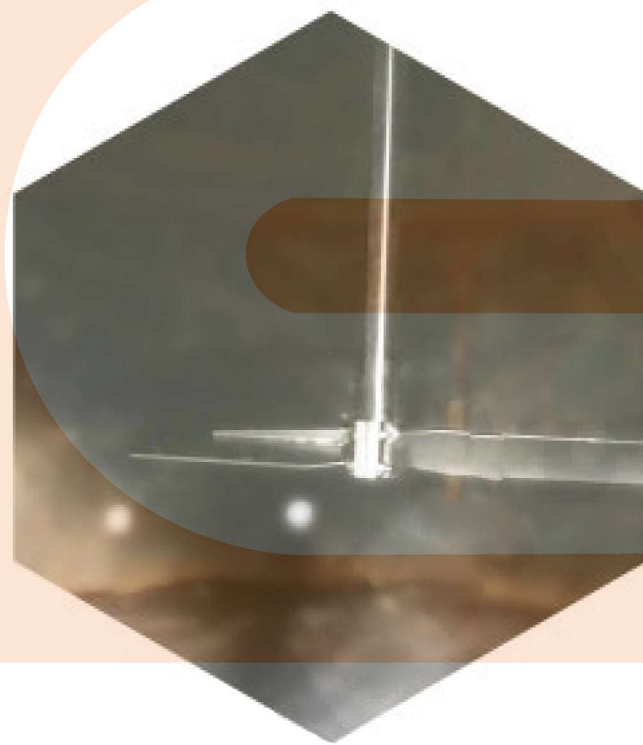
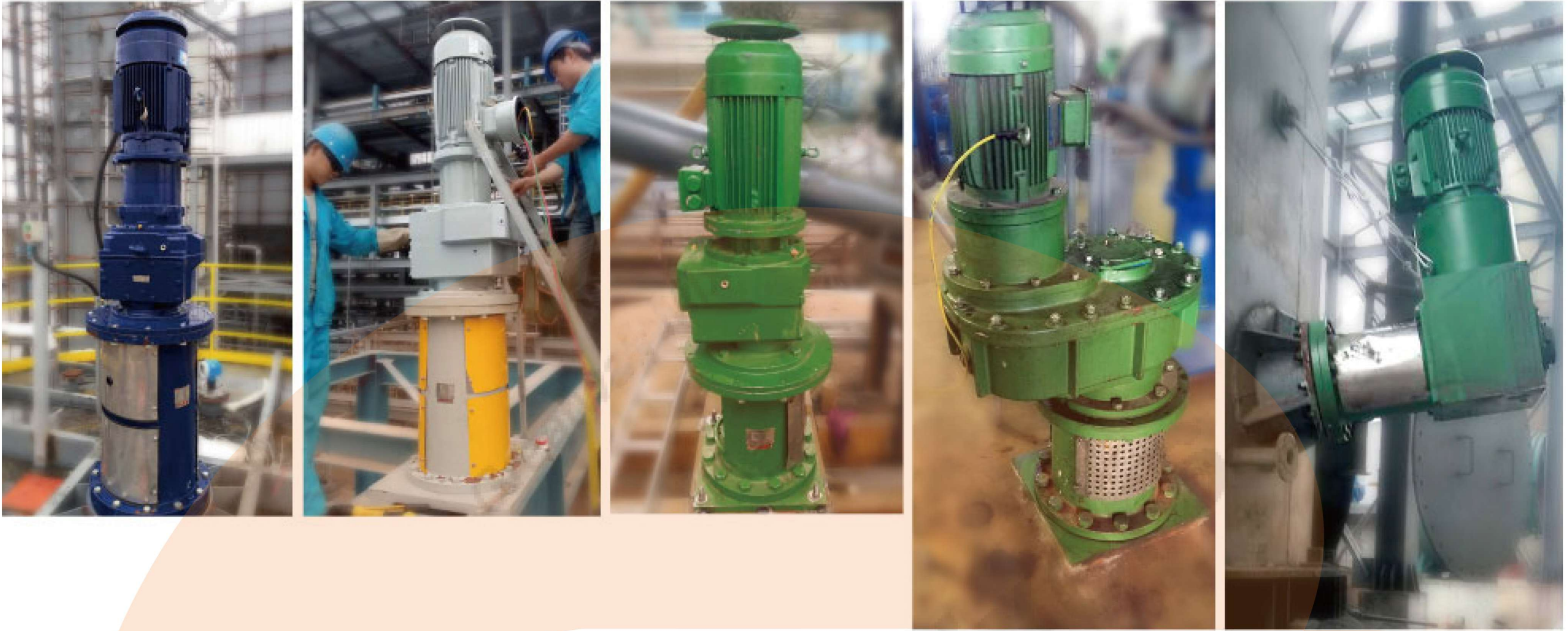
Environmental Protection

Flue Gas Desulfurization (FGD),
pollution nuisance treating,
green industry

Special Machinery

macadam treatment, cement
treatment, bituminous treatment,
heat barrier material, cooling fan

APPLICATIONS & SERVICES



Greatwall is devoted to the manufacture of quality equipment for fluid agitation and mixing. We warrant our products to be constructed of new material and to be free from defects in material or workmanship under normal and proper use.

For our customers, we also provides expert help on installation and maintenance. Besides the user's manuals, which provide detailed maintenance specifications, we also provide direct or indirect installation and maintenance guidance.

Our parts program includes individual recommendations and review of your spare parts stock, based on your equipment and process. Our large inventory supports your stock, and provides quick fulfillment of maintenance and repair need, including standard replacement items such as seals, bearings, and lots of internal subassemblies.





/IND.SGARIA

